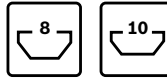


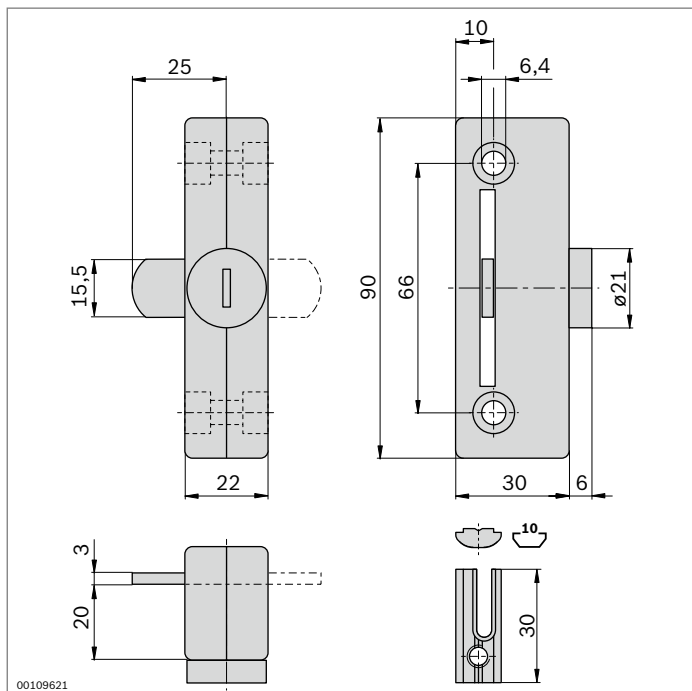
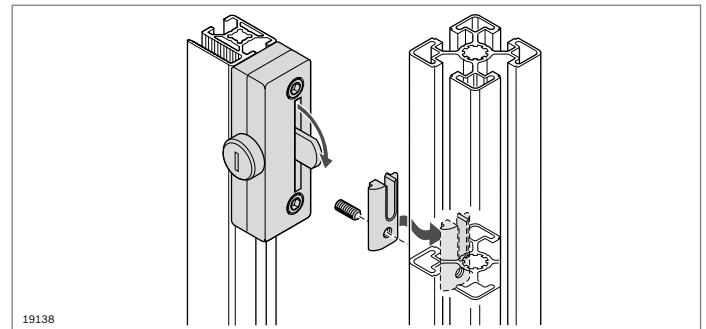
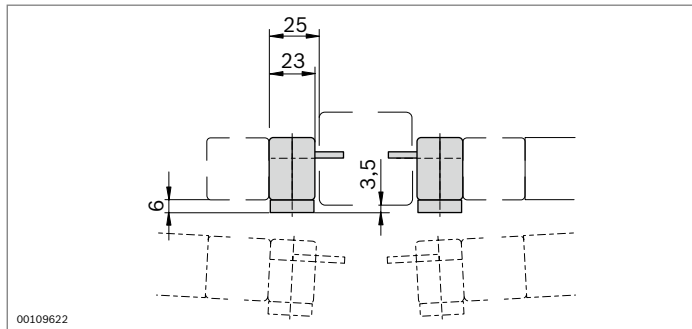
Door lock



- ▶ For doors which open to the right or left
- ▶ For frame profile 30x30 WG (EcoSafe protective fence system); incl. fastening material
- ▶ “Standard locking” variant with random key selection (each lock has a different key)
- ▶ “Uniform locking” variant always has the same key

Accessories for mounting on profile with 10 mm slot:

- ▶ 2 x T-nut M6, **3 842 530 285** (p. 3-4)
- ▶ 2 x screw DIN 912-M6x25



Door lock	No.	FS
Standard locking	3 842 522 479	2xFS1, 1xFS2
Uniform locking	3 842 523 320	2xFS1, 1xFS2

Material: Diecast zinc
Fastening material: steel; galvanized
Scope of delivery: Incl. 3 keys,
Fastening material (FS)

