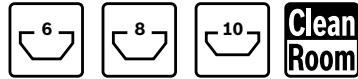
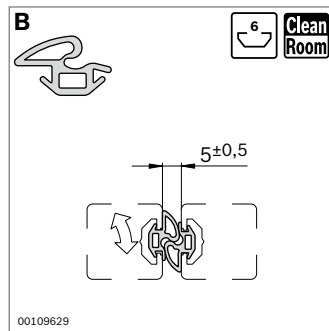
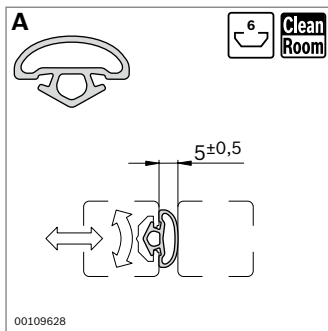


Sealing profile



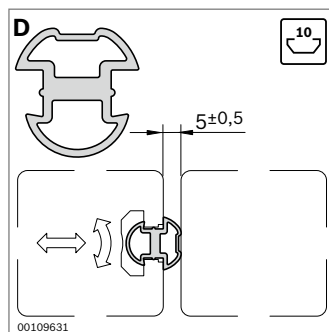
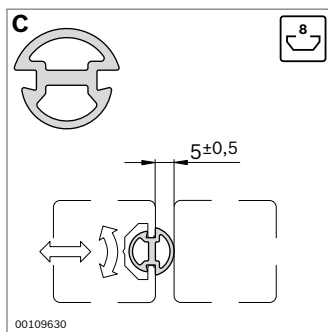
- ▶ For sliding and swing doors
- ▶ Prevents particles from entering or escaping



- ▶ Suitable for use in cleanroom environments
- ▶ Two-piece seal (B) also performs a stop function.

Sealing profile	Slot	L (mm)	No.
A	6	10000	3 842 524 623
B	6	10000	3 842 524 622

Material: TPE; light gray RAL 7035, hardness: 64° ± 5 shore A



Sealing profile	Slot	L (mm)	No.
C	8	10000	3 842 516 598
D	10	10000	3 842 518 492

Material: NBR; black, hardness 60° shore A