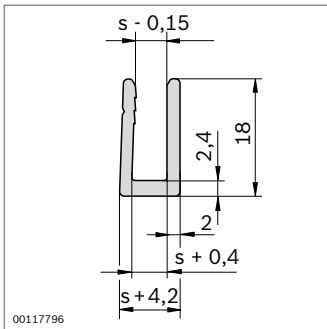


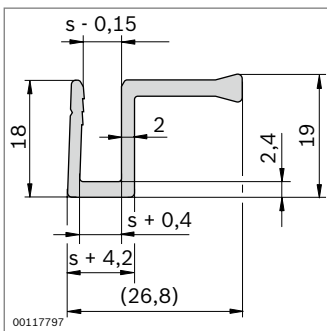
Edge protector Door handle profile

- ▶ For reinforcing frameless surface elements on sliding doors
- ▶ Profile for $s = 6$ mm can also be used for 1/4 inch plates

00117794



00117796



00117797

Edge protector	s (mm)	L (mm)	No.
1 pc	5	40 ... 3000	3 842 993 429 / L
10 pcs	5	3000	3 842 536 537
1 pc	6	40 ... 3000	3 842 993 430 / L
10 pcs	6	3000	3 842 536 540

Material: Aluminum, anodized

Door handle profile	s (mm)	L (mm)	No.
1 pc	5	40 ... 3000	3 842 993 427 / L
10 pcs	5	3000	3 842 536 533
1 pc	6	40 ... 3000	3 842 993 428 / L
10 pcs	6	3000	3 842 536 536

Material: Aluminum, anodized