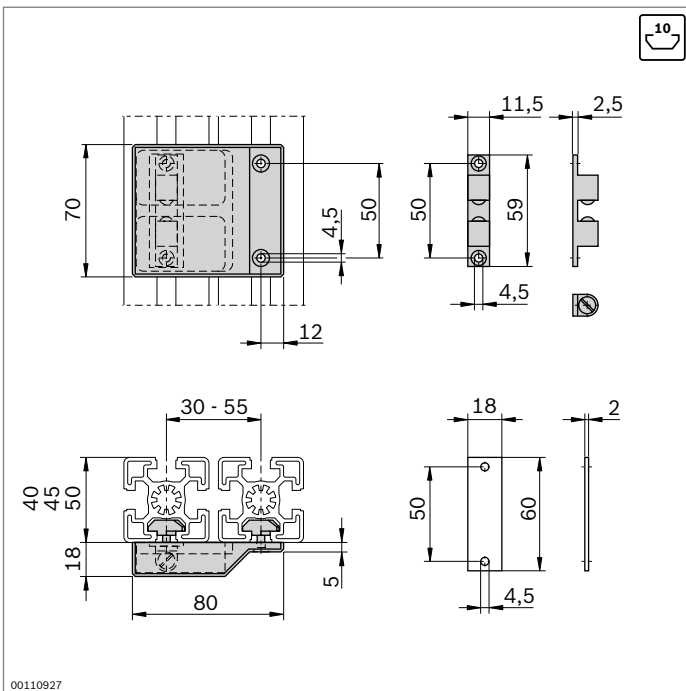


00110923

Double ball stop latch



- ▶ For arresting doors made of profile frames and for bridging door gaps
- ▶ Suitable for profiles with modular dimensions 40 mm, 45 mm, and 50 mm
- ▶ Locking also possible with varying profile spacing



00110927

Double ball stop latch	Slot	No.	FS
	10	3 842 530 241	4xFS1

Material: aluminum, black anodized
 Scope of delivery: incl. fastening material (FS)

