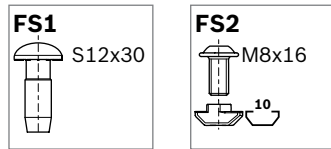
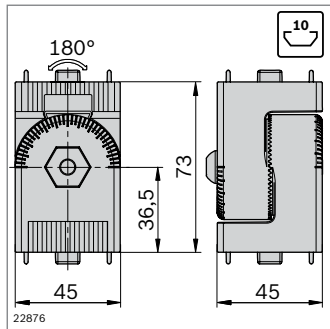


Joint 45x45 lockable



- ▶ For adjustable or rigid profile connections
- ▶ For high loads up to 100 Nm in the swivel direction
- ▶ Positive interlocking thanks to Hirth toothed coupling
- ▶ Swivel range 180°
- ▶ Easy adjustment in the 5° modular dimensions
- ▶ Marking with a 5° graduation for easy detection of the adjustment angle
- ▶ Clamping and convenient adjustment of joint using a clamping lever or screw
- ▶ Profile finishing: not required (self-tapping screw for front end-to-end connections)
- ▶ Compatible with joint 45x45 and joint 45x45 support (p. 4-4)



Optional accessories:

Clamping element (p. 4-11)

Joint 45x45 lockable	Slot	ESD No.	FS
	10	3 842 546 564	2xFS1, 2xFS2

Material: diecast zinc

Fastening material: steel; galvanized

Scope of delivery: incl. fastening material (FS)

