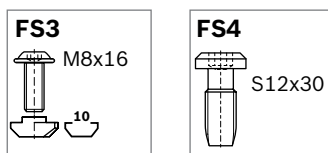
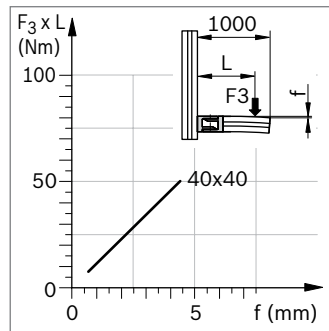
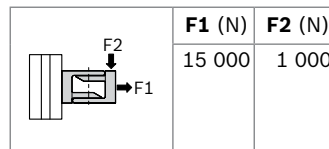
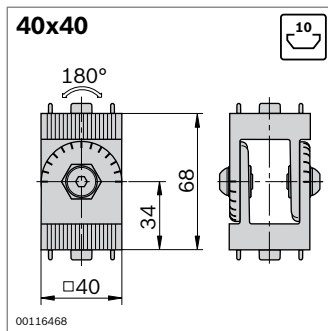


### Joint 40x40, 40x40 support, 45x45, 45x45 support

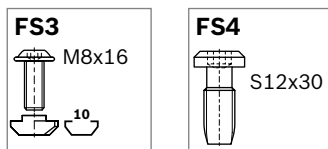
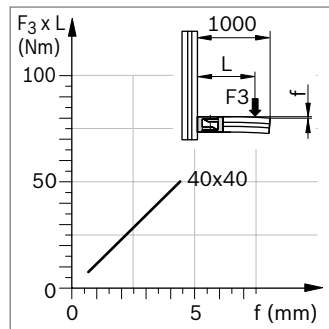
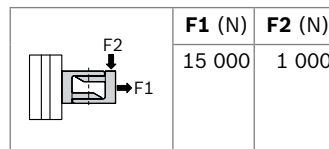
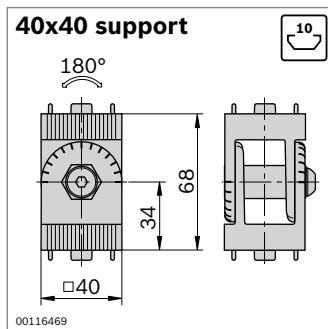


- ▶ For movable or rigid profile connections at any angle
- ▶ Swivel range 180°
- ▶ With marking in 15° increments
- ▶ Joint support can be clamped using a clamping lever (5 Nm) and conveniently adjusted
- ▶ *designLINE* version with special silver paint (RAL 9006) for an attractive, high-quality design



Joint 40x40	Slot	ESD	No.	FS
<b>Standard</b>	10		<b>3 842 543 401</b>	2xFS3, 2xFS4
<b>designLINE</b>	10		<b>3 842 538 684</b>	2xFS3, 2xFS4

Material: Standard: diecast aluminum  
*designLINE*: painted, RAL 9006  
Fastening material: steel; galvanized  
Scope of delivery: incl. fastening material (FS)



Joint 40x40 support	Slot	ESD	No.	FS
<b>Standard</b>	10		<b>3 842 543 402</b>	2xFS3, 2xFS4
<b>designLINE</b>	10		<b>3 842 538 685</b>	2xFS3, 2xFS4

Material: Standard: Die-cast aluminum  
*designLINE*: painted, RAL 9006  
Fastening material: steel; galvanized  
Scope of delivery: incl. fastening material (FS)

Clamping lever	No.
<b>for joint 40x40 support</b>	<b>3 842 516 847</b>

Material: diecast zinc, black polymer coating