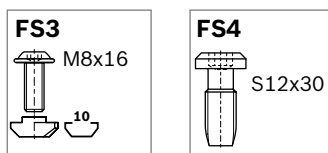
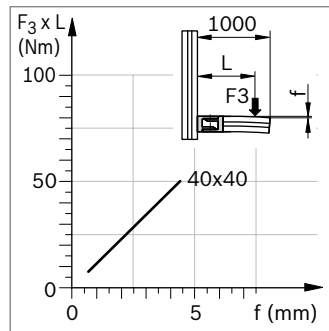
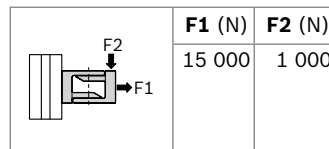
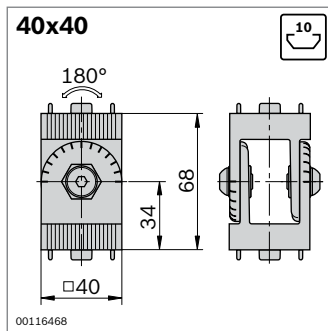


Joint 40x40, 40x40 support, 45x45, 45x45 support

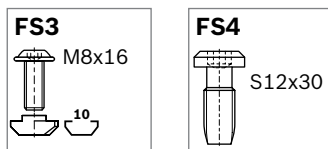
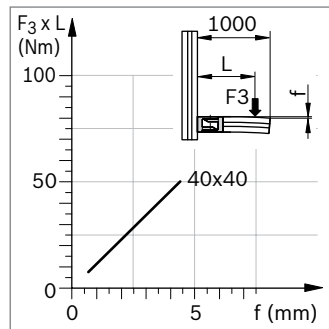
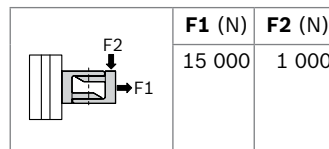
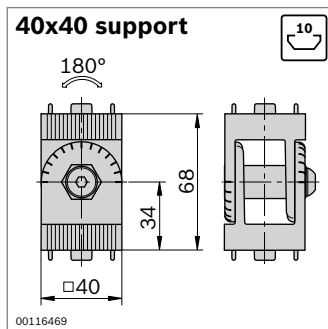


- ▶ For movable or rigid profile connections at any angle
- ▶ Swivel range 180°
- ▶ With marking in 15° increments
- ▶ Joint support can be clamped using a clamping lever (5 Nm) and conveniently adjusted
- ▶ *designLINE* version with special silver paint (RAL 9006) for an attractive, high-quality design



Joint 40x40	Slot	ESD	No.	FS
Standard	10		3 842 543 401	2xFS3, 2xFS4
designLINE	10		3 842 538 684	2xFS3, 2xFS4

Material: Standard: diecast aluminum
designLINE: painted, RAL 9006
Fastening material: steel; galvanized
Scope of delivery: incl. fastening material (FS)

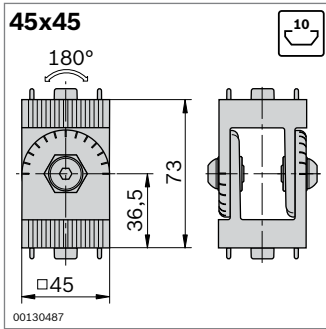


Joint 40x40 support	Slot	ESD	No.	FS
Standard	10		3 842 543 402	2xFS3, 2xFS4
designLINE	10		3 842 538 685	2xFS3, 2xFS4

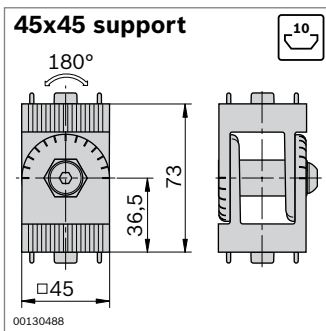
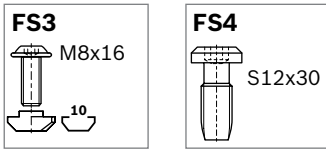
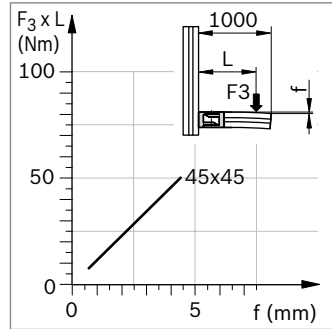
Material: Standard: Die-cast aluminum
designLINE: painted, RAL 9006
Fastening material: steel; galvanized
Scope of delivery: incl. fastening material (FS)

Clamping lever	No.
for joint 40x40 support	3 842 516 847

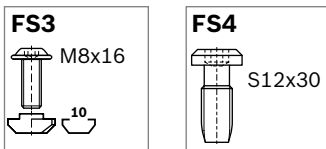
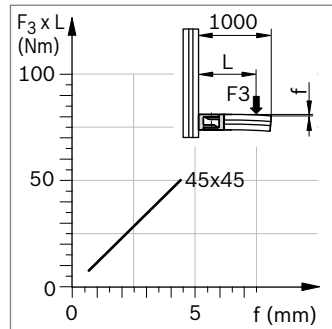
Material: diecast zinc, black polymer coating



	F1 (N)	F2 (N)
	15 000	1 000



	F1 (N)	F2 (N)
	15 000	1 000



Joint 45x45	Slot	ESD	No.	FS
Standard	10		3 842 543 403	2xFS3, 2xFS4
designLINE	10		3 842 538 686	2xFS3, 2xFS4

Material: Standard: diecast aluminum
designLINE: painted, RAL 9006
 Fastening material: steel; galvanized
 Scope of delivery: incl. fastening material (FS)

Joint 45x45 support	Slot	ESD	No.	FS
Standard	10		3 842 543 404	2xFS3, 2xFS4
designLINE	10		3 842 538 687	2xFS3, 2xFS4

Material: Standard: diecast aluminum
designLINE: painted, RAL 9006
 Fastening material: steel; galvanized
 Scope of delivery: incl. fastening material (FS)

Clamping lever	No.
for joint 45x45 support	3 842 538 607

Material: diecast zinc, black polymer coating