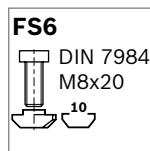
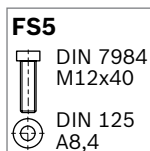
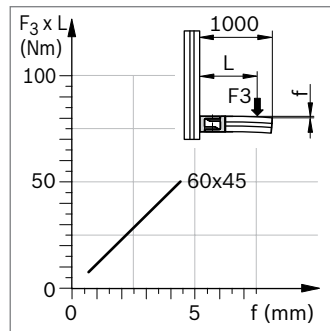
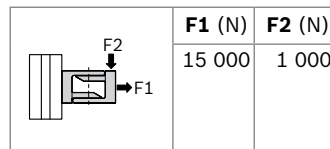
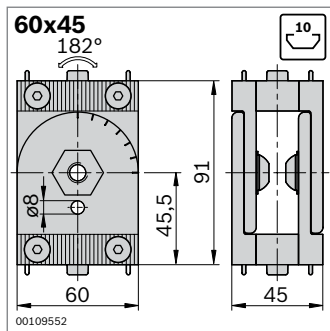


Joint 60x45, 60x60



- ▶ For movable or rigid profile connections at any angle
- ▶ Swivel range 182°
- ▶ With marking in 15° increments
- ▶ Locking by clamping (5 Nm) or fixing with pins (15 Nm)
- ▶ The joint can be adjusted using a clamping lever
- ▶ *designLINE* version with special silver paint (RAL 9006)
- ▶ Profile finishing:
Thread cutting (M12) in core for end connection

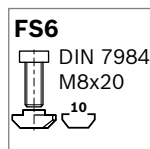
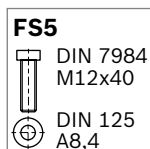
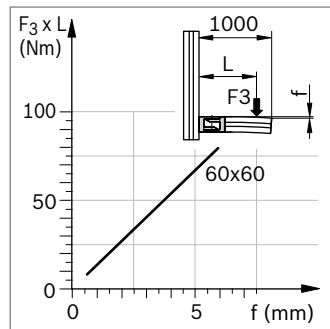
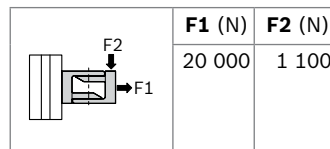
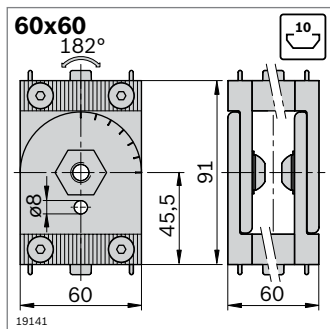


Joint 60x45	Slot	ESD	No.	FS
Standard	10		3 842 502 688	2xFS5, 2xFS6
designLINE	10		3 842 539 799	2xFS5, 2xFS6

Material: Standard: diecast zinc
designLINE: painted, RAL 9006
Fastening material: steel; galvanized
Scope of delivery: incl. fastening material (FS)

Clamping lever	No.
for joint 60x45	3 842 505 144

Material: diecast zinc, black polymer coating



Joint 60x60	Slot	ESD	No.	FS
Standard	10		3 842 502 687	2xFS5, 2xFS6
designLINE	10		3 842 539 800	2xFS5, 2xFS6

Material: Standard: diecast zinc
designLINE: painted, RAL 9006
Fastening material: steel; galvanized
Scope of delivery: incl. fastening material (FS)

Clamping lever	No.
for joint 60x60	3 842 505 144

Material: diecast zinc, black polymer coating