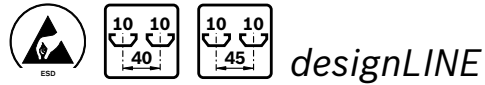
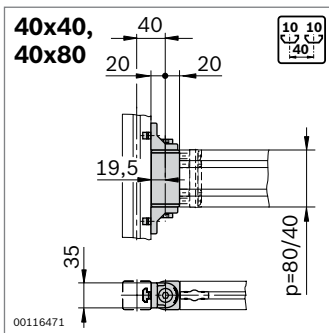


## Swivel bearing

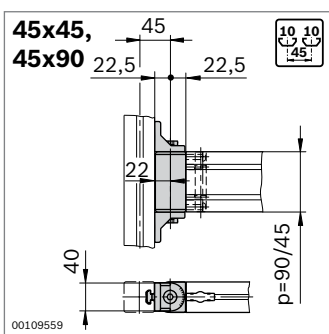
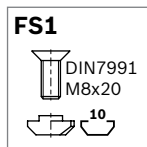


- ▶ Suitable for swiveling right-angled profile connections, e.g. for constructing supporting arms or doors
- ▶ *designLINE* version with special silver paint (RAL 9006) for an attractive, high-quality design
- ▶ Profile finishing: drilling of through-hole D17

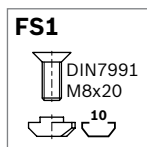
4



Profile	$M_{max} = F \times L$ (Nm)
40x40	40
40x80	130



Profile	$M_{max} = F \times L$ (Nm)
45x45	50
45x90	150



Swivel bearing		p (mm)	ESD No.	FS
40x40	Standard	40	3 842 532 208	2xFS1
	<i>designLINE</i>	40	3 842 538 688	2xFS1
40x80	Standard	80	3 842 532 209	2xFS1
	<i>designLINE</i>	80	3 842 538 689	2xFS1

Material: Standard: diecast aluminum  
*designLINE*: painted, RAL 9006  
 Fastening material: steel; galvanized  
 Cover cap: PA; black

Scope of delivery: incl. caps, bolt connectors, fastening material (FS)

Swivel bearing		p (mm)	ESD No.	FS
45x45	Standard	45	3 842 522 634	2xFS1
	<i>designLINE</i>	45	3 842 538 690	2xFS1
45x90	Standard	90	3 842 522 633	2xFS1
	<i>designLINE</i>	90	3 842 538 691	2xFS1

Material: Standard: diecast zinc  
*designLINE*: painted, RAL 9006  
 Fastening material: steel; galvanized  
 Cover cap: PA; black

Scope of delivery: incl. caps, bolt connectors, fastening material (FS)