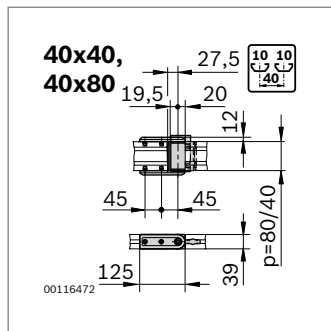


### Supporting arm joint

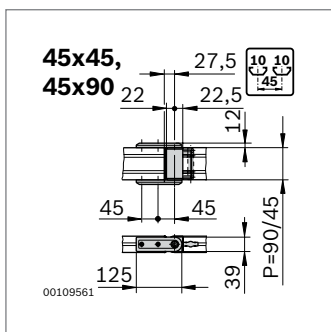
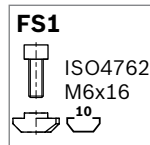


*designLINE*

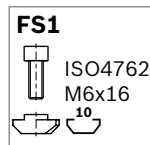
- ▶ Suitable for swiveling end connections, e.g. for the construction of supporting arms
- ▶ *designLINE* version with special silver paint (RAL 9006) for an attractive, high-quality design
- ▶ Profile finishing: drilling of through-hole D17



Profile	$M_{max} = F \times L$ (Nm)
40x40	40
40x80	130



Profile	$M_{max} = F \times L$ (Nm)
45x45	50
45x90	150



Supporting arm joint	p (mm)	ESD No.	FS	
40x40	Standard	40	3 842 532 206	4xFS1
	<i>designLINE</i>	40	3 842 538 692	4xFS1
40x80	Standard	80	3 842 532 207	4xFS1
	<i>designLINE</i>	80	3 842 538 693	4xFS1

Material: Standard: diecast zinc  
*designLINE*: painted (RAL 9006)  
 Cover cap: PA; black  
 Fastening material: steel; galvanized  
 Scope of delivery: incl. caps, bolt connectors, fastening material (FS)

Supporting arm joint	p (mm)	ESD No.	FS	
45x45	Standard	45	3 842 521 263	4xFS1
	<i>designLINE</i>	45	3 842 538 694	4xFS1
45x90	Standard	90	3 842 521 262	4xFS1
	<i>designLINE</i>	90	3 842 538 695	4xFS1

Material: Standard: diecast zinc  
*designLINE*: painted (RAL 9006)  
 Cover cap: PA; black  
 Fastening material: steel; galvanized  
 Scope of delivery: incl. caps, bolt connectors, fastening material (FS)