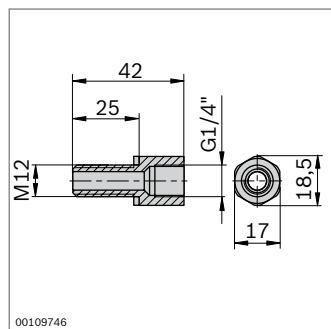
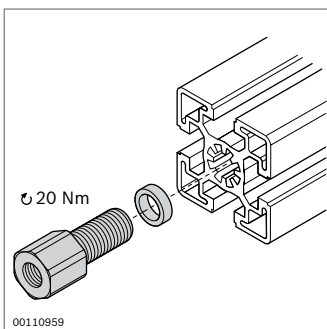
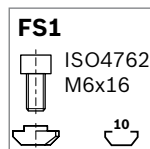
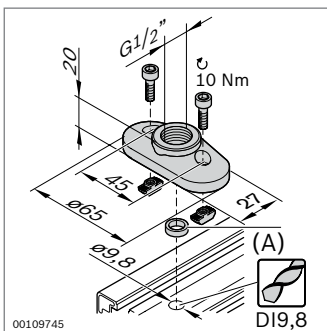
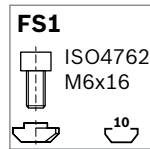
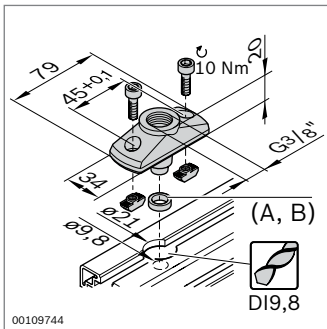


Connection piece Connection screw fitting M12-1/4"



Connection piece

- ▶ For compressed-air intake or discharge at any point on the profile
- ▶ G3/8" for connection at central hole
- ▶ G1/2" for connection at hollow chamber
- ▶ Suitable for light and standard profiles
- ▶ Profile finishing: blind hole DI9,8; blind hole $\varnothing 21$ mm (drilling jig **3 842 528 574**, p. 14-3)
- ▶ For a maximum pressure (p_{max}) of 8 bar



Connection piece	No.	FS
G3/8"	3 842 523 092	2xFS1
Material:	Connection piece Die-cast aluminum	
	Seal: NBR	
Scope of delivery:	incl. fastening material, seals (A, B)	
Accessories:	Seals A, B (p. 5-6)	

Connection piece	No.	FS
G1/2"	3 842 352 085	2xFS1
Material:	Connection piece diecast zinc	
	Seal: NBR	
Scope of delivery:	incl. fastening material, seal (A)	
Accessories:	Seal A (p. 5-6)	

Connection screw fitting M12-1/4"

- ▶ For screw fitting in central hole
- ▶ Profile finishing: M12
- ▶ For a maximum pressure (p_{max}) of 8 bar

Connection screw fitting	No.	No.
M12-1/4"	10	3 842 535 719
Material:	Connection screw fitting: steel; galvanized	
	Seal: PVC, hard	
Scope of delivery:	incl. seal	