

# The new *system* lamp LED economic

- Customer presentation



# The new system lamp LED economic

## Higher efficiency through ergonomic LED-Light!

- Ergonomic light conditions have a high impact on the **employees' wellbeing**
- The motivation, concentration, performance, effectiveness und satisfaction increase, whereby **the whole company becomes more successful**
- The **SL LED economic** is a compact and affordable solution for all ergonomic workplaces

# The new system lamp LED economic

## Effect of an ergonomic lamp

**Better processing quality**

**Higher efficiency**

**Prevent fatigue**



**Minimize risk of errors**

**Improve power of concentration**

**Improve the employees' wellbeing**

# The new system lamp LED economic

## Requirement for ergonomic lighting

Illuminance aligned with activity

Prevention of strong contrasts

No or little glare



No reflections

Compliance with DIN EN 12 464

Color temperature aligned with activity

# The new system lamp LED economic

## Market demand

- Ergonomic workplaces
- Cost-effective alternatives to fluorescent lamp
- Increase of the employees' performance
- Health promotion
- Error prevention
- Long lifetime
- Easy handling
- Easy assembly
- Energy efficiency



# The new system lamp LED economic

## Product variants

### SL12 LED economic



580 x 80 x 40 mm

→ Ideal for workplaces with measurements of up to 1000 x 600 mm

### SL12 LED economic wide



870 x 80 x 40 mm

→ Even illumination for workplaces with measurements of up to 1600 x 600 mm

e.g. logistics workplaces

# The new system lamp LED economic

## Product description



Technical data – SL12 LED economic	
Dimensions	~580 x 80 x 40 mm
Performance	11,5 ± 0,5 W
Color temperature	5.000 K
Illuminance	~700 lx*
Light output	~140 lm/W
Glare suppression	Matt lense, 60° beam angle
Material housing, weight	Sheet steel, lacquered, ~1,75 kg
Plug	GST18i3
Cable length	160 ± 10 mm
Lifetime	Min. 50.000 h

\*with a mounting distance of 1,25 m; surface 1000x600 mm

# The new system lamp LED economic

## Product description



Technical data – SL12 LED economic wide	
Dimensions	~870 x 80 x 40 mm
Performance	11,5 ± 0,5 W
Color temperature	5.000 K
Illuminance	~550 lx*
Light output	~140 lm/W
Glare suppression	Matt lense, 60° beam angle
Material housing, weight	Sheet steel, lacquered, ~2,65 kg
Plug	GST18i3
Cable length	160 ± 10 mm
Lifetime	Min. 50.000 h

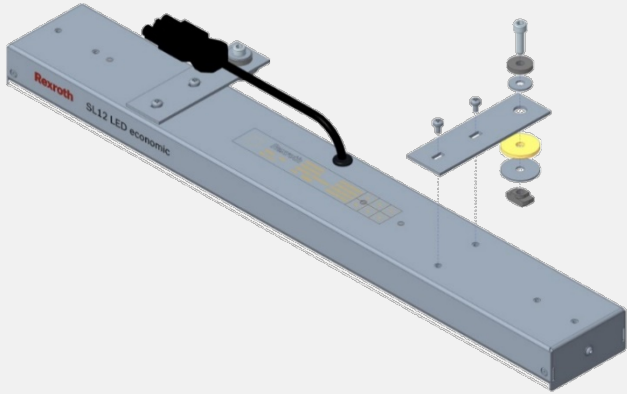
\*with a mounting distance of 1,25 m; surface 1600x600 mm



# The new system lamp LED economic

## Product description – Mounting options

Mounting accessories included



**Mounting option 2: SL12**



**Mounting option 1: SL12**



**Mounting option 3: SL12 wide**

# The new system lamp LED economic

## Product description – Accessories

- **Connecting cable** – For connection between lamp and sockets or energy bars,
  - Necessary for operation of the lamp
    - EU: 0,5, 1, 1,5, 2, 3, 4 meters
    - USA/CDN: 0,5, 1, 1,5, 2, 3, 4 meters
- **Mains cable**
  - Necessary for operation of the lamp
    - EU: 5 meters
    - USA/CDN: 5 meters
- **H-Connector** to run three lamps simultaneously
- **T-Connector** to connect several lamps in a row



# The new system lamp LED economic

## Product Overview

### System lamps CE

TTNR	Description	Version
3 842 559 392	SL12 LED economic	580mm x 80mm x 40mm
3 842 559 393	SL12 LED economic wide	870mm x 80mm x 40mm

# The new system lamp LED economic

## Product Overview – Accessories

TTNR	Description/Version
3 842 517 051	Connection cable, 0,5m, EU
3 842 517 049	Connection cable, 1m, EU
3 842 537 123	Connection cable, 1,5m, EU
3 842 517 047	Connection cable, 2m, EU
3 842 527 207	Connection cable, 3m, EU
3 842 537 598	Connection cable, 4m, EU
3 842 517 045	Mains cable, 5m, D/F
3 842 537 323	Mains cable, 5m, USA/CDN
3 842 553 142	H-Connector
3 842 532 909	T-Connector

# The new system lamp LED economic

## Advantages of LED-lighting

- Up to 60% less energy consumption over traditional fluorescent lamps
- Up to 4x longer lifetime over traditional fluorescent lamps
- Maintenance-free
- No flicker or hum, no strobe effect
- In the long run cheaper than competitor products
- No toxic chemical substances – no health risk
- Shock- and breakproof, because all components are fixed

# The new system lamp LED economic

## Advantages of the SL LED economic

### Short integrated connection cable

- Individual assembly is possible
- Chain is possible with an optional T-connector

### Inexpensive

- A very attractive price-performance ratio

### Better quality

- Because of the ergonomic optimisation with our matt wide look 60°, glare-free and continuous working is possible

### High energy-efficiency

- Optimal Illuminance and still a lower energy consumption

### Long lifetime

- Of more than 50.000 hours

### Low weight

- With 1,75 - 2,65 kg our system lamp is very manageable

### Wide range of application

- Two versions, ideal for workplaces with up to 1600mm width

# The new system lamp LED economic

## Glossary

Radiation angle	Describes the beam angle and the light beam bore
Illuminance	Unit: Lux (lx), indicates how much light falls on an area, depends on the distance between lamp and area
Glare protection	Prevent direct glare or reflections of the light, controls the light beam, operates with absorption, reflection and refraction
Glare	Overexposure because of a too high brightness, releases a optical or a visual disturbance and so a visual excessive demand, lowers our visual performance
Blend value UGR	Describes the psychologic direct glare, which proportion of consumer are feeling blinded, 0 is the best, 30 the worst value
Color temperature	Unit: Kelvin (K), characterizes the color of the light, warm white = up to 3300 K, neutral white = 3300 – 5300 K, cool white (rather blue) = more than 5300 K
Color rendering index Ra	Characterizes the quality of the color reproduction of the lamp, should be at least 80 at office workplaces
LED	„Light Emmiting Diode“
Light output	Unit: lm/W, relates the luminous flux to the rendered performance
Luminous flux	Unit: Lumen (lm), constitutes the whole radiant power of a light source

# The new system lamp LED economic

Improve the employees' wellbeing and increase the success of the whole company...

No or little glare ✓

Energy-efficient ✓

Long lifetime ✓



✓ Easy assembly

✓ Cost-effective

✓ Quality increase

...with the help of our new system lamp **SL LED economic**.